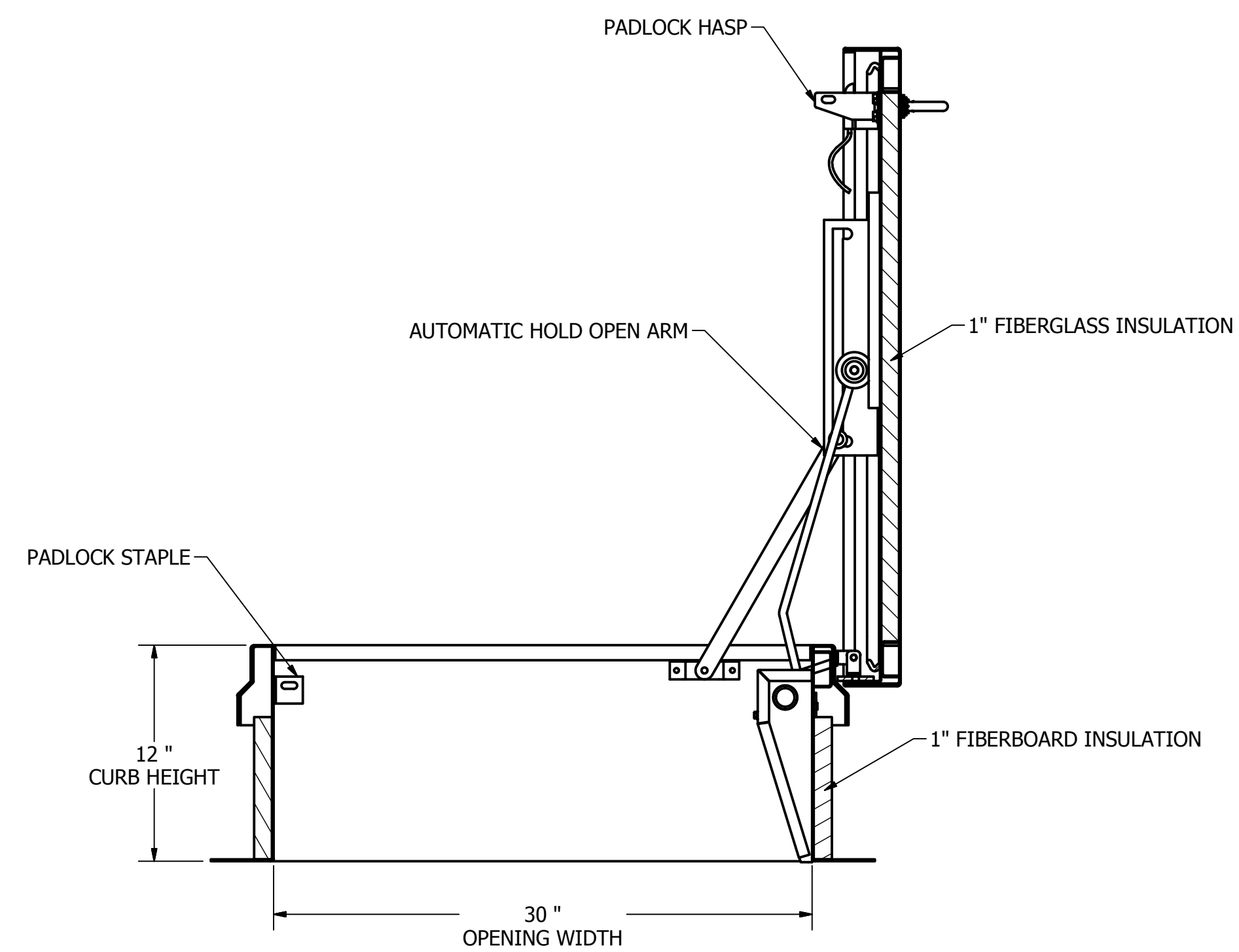
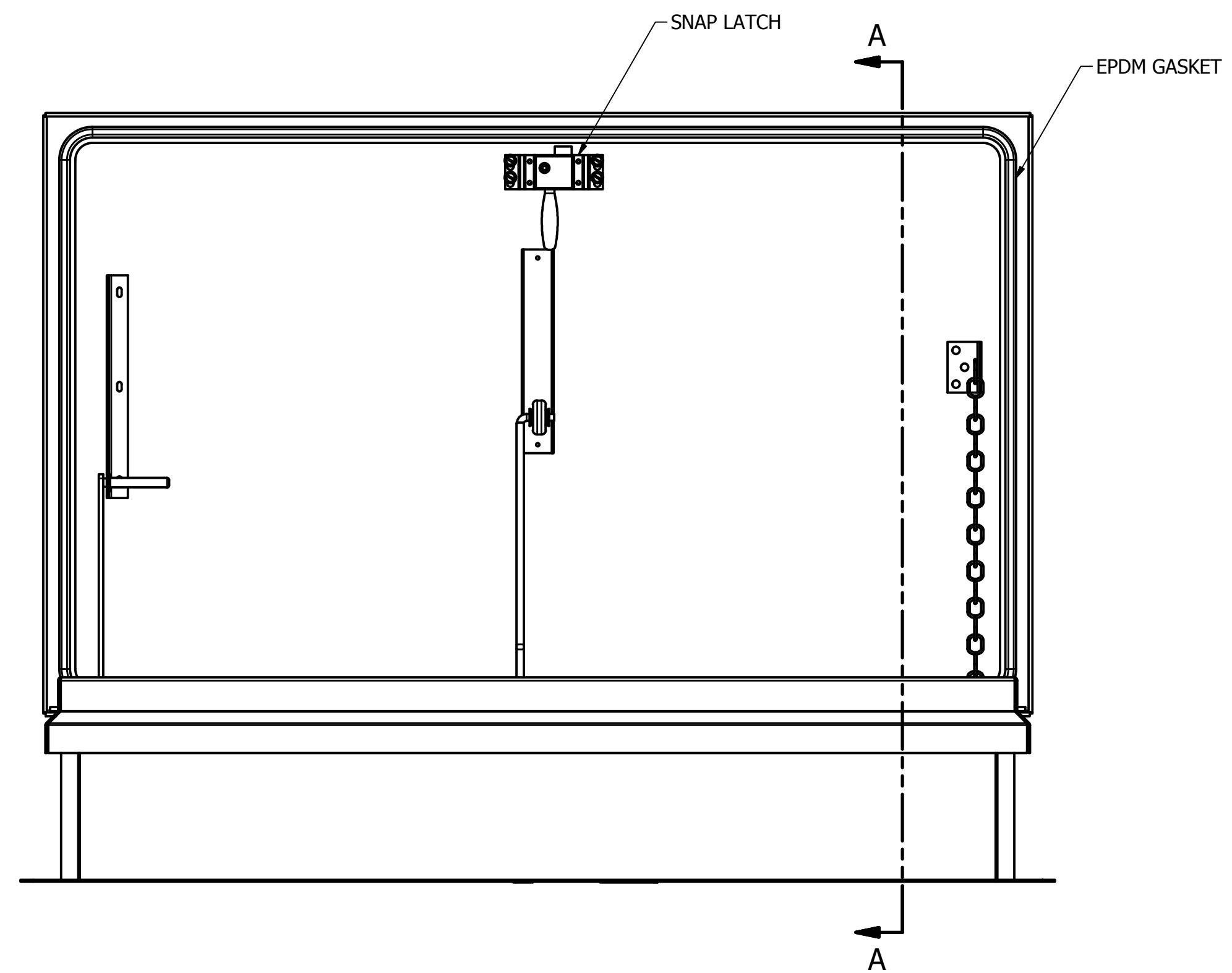


- NOTES:
 SIZE: RD-2'6"X4'6"
 1) 40psf COVER LIVE LOAD RATING
 2) MILL FINISH
 3) MATERIALS:
 .090 ALUMINUM, COVER
 .090 ALUMINUM, CURB
 .090 ALUMINUM, COUNTER FLASHING
 .063 ALUMINUM, COVER LINER



ORDER WILL NOT BE RELEASED FOR FABRICATION UNTIL SIGNED COPY IS RECEIVED.

VERIFICATION AND APPROVAL OF GENERAL ARRANGEMENT AND OVERALL DIMENSIONS FOR THIS DOCUMENT ARE REQUIRED BEFORE THE ORDER IS ENTERED FOR MANUFACTURING.

APPROVAL SIGNATURE _____

TITLE HELD _____

DATE OF APPROVAL _____

DRAWN	CMD	2/23/2015	Hart & Cooley Inc. Fax: 855-549-2674 www.hartandcooleyinc.com		
CHECKED		MILCOR	5030 Corporate Exchange Blvd. SE Grand Rapids, MI. 49512 Ph: 800-624-8642		
QA		TOLERANCE	TITLE		
MFG		UNLESS SPECIFIED	RD-2 SINGLE LEAF ROOF HATCH		
APPROVED		.XXX ± 0.005"	SIZE	DWG NO	REV
		.XX ± 0.01"	D	3502-135-9	--
		FRACT. ± 1/16"	SCALE		
		ANGLES ± 1'			SHEET 1 OF 1